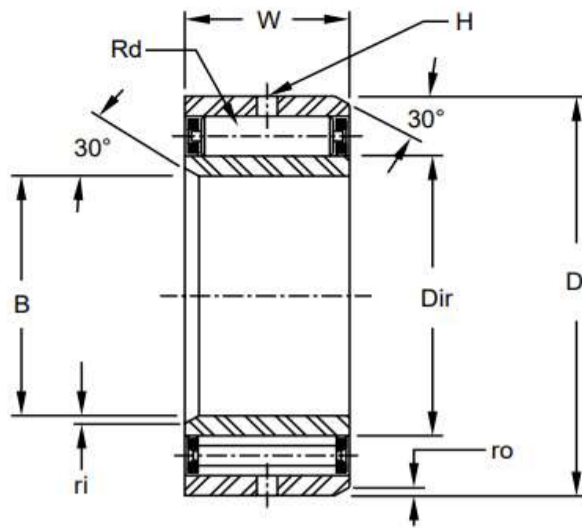
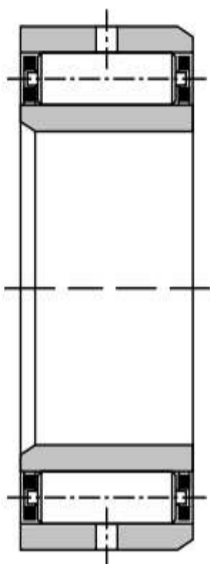




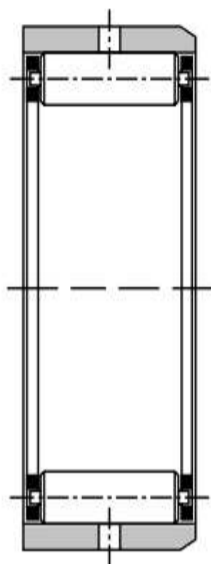
Rolamentos Radiais de Rolos Cilindricos,
Gaiola Rebitada, Projetados para a
Industria no Geral. Sua Nomenclatura
permite a Identificação e Aquisição do
Conjunto Completo ou dos
Componentes Isoladamente.



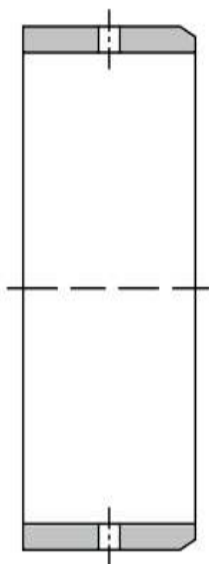
CÓDIGO SUPROL CONJUNTO	CÓDIGO SUPROL DOS COMPONENTES			B MM	D MM	W IN.	Dir. IN.	Rd. IN.	ri IN.	ro IN.	H IN.
	ANEL INTERNO	ANEL EXTERNO	CORPO ROLANTE								
D-218	E-218-60	B-218-70	WS-218	90	160	2-1/16	4-1/4	0.6875	0.125	0.125	0.4375
D-218-45	E-218-45-60	B-218-45-70	WS-218-45	90	160	2-13/16	4-1/4	0.6875	0.125	0.125	0.4375
D-219	E-219-60	B-219-70	WS-219	95	170	2-3/16	4-1/2	0.75	0.156	0.125	0.4375
D-219-48	E-219-48-60	B-219-48-70	WS-219-48	95	170	3	4-1/2	0.75	0.156	0.125	0.4375
D-319	E-319-60	B-319-70	WS-319	95	200	3-1/16	4-3/4	1.125	0.187	0.156	0.563
D-319-50	E-319-50-60	B-319-50-70	WS-319-50	95	200	3-1/8	4-3/4	1.125	0.187	0.156	0.563
D-220-37	E-220-37-60	B-220-37-70	WS-220-37	100	180	2-5/16	4-3/4	0.75	0.156	0.156	0.563
D-220	E-220-60	B-220-70	WS-220	100	180	2-3/8	4-3/4	0.75	0.156	0.156	0.563
D-220-52	E-220-52-60	B-220-52-70	WS-220-52	100	180	3-1/4	4-3/4	0.75	0.156	0.156	0.563
D-220-104	E-220-104-60	B-220-104-70	WS-220-52(X2)	100	180	6-1/2	4-3/4	0.75	0.156	0.156	0.563
D-320	E-320-60	B-320-70	WS-320	100	215	3-1/4	5	1.25	0.187	0.187	0.563
D-222-41	E-222-41-60	B-222-41-70	WS-222-41	110	200	2-7/16	5-1/4	0.875	0.156	0.187	0.563
D-222	E-222-60	B-222-70	WS-222	110	200	2-3/4	5-1/4	0.875	0.156	0.156	0.563
D-222-56	E-222-56-60	B-222-56-70	WS-222-56	110	200	3-1/2	5-1/4	0.875	0.156	0.156	0.563
D-222-112	E-222-112-60	B-222-112-70	WS-222-56(X2)	110	200	7	5-1/4	0.875	0.156	0.156	0.563
D-322	E-322-60	B-322-70	WS-322	110	240	3-5/8	5-1/2	1.375	0.219	0.219	0.563
D-322-60	E-322-60-60	B-322-60-70	WS-322-40	110	240	3-3/4	5-1/2	1.375	0.219	0.219	0.563
D-224-45	E-224-45-60	B-224-45-70	WS-224-45	120	215	2-13/16	5-5/8	0.9375	0.156	0.187	0.563
D-224	E-224-60	B-224-70	WS-224	120	215	3	5-5/8	0.9375	0.156	0.187	0.563
D-224-62	E-224-62-60	B-224-62-70	WS-224-62	120	215	3-7/8	5-5/8	0.9375	0.156	0.187	0.563
D-324	E-324-60	B-324-70	WS-324	120	260	4-1/8	6-1/16	1.375	0.25	0.25	0.563
D-226	E-226-60	B-226-70	WS-226	130	230	3-1/8	6-1/16	1	0.156	0.187	0.563
D-226-68	E-226-68-60	B-226-68-70	WS-226-68	130	230	4-1/4	6-1/16	1	0.156	0.187	0.563
D-226-136	E-226-136-60	B-226-136-70	WS-226-68(X2)	130	230	8-1/2	6-1/16	1	0.156	0.187	0.563
D-326	E-326-60	B-326-70	WS-326	130	280	4-3/8	6-7/16	1.5	0.25	0.25	0.563
D-228	E-228-60	B-228-70	WS-228	140	250	3-1/4	6-5/8	1.0625	0.219	0.219	0.563
D-228-76	E-228-76-60	B-228-76-70	WS-228-76	140	250	4-3/4	6-5/8	1.0625	0.219	0.219	0.563
D-228-152	E-228-152-60	B-228-152-70	WS-228-76(X2)	140	250	9-1/2	6-5/8	1.0625	0.219	0.219	0.563
D-230	E-230-60	B-230-70	WS-230	150	270	3-1/2	7-1/16	1.1875	0.219	0.219	0.625
D-230-76	E-230-76-60	B-230-76-70	WS-230-76	150	270	4-3/4	7-1/16	1.1875	0.219	0.219	0.625
D-232	E-232-60	B-232-70	WS-232	160	290	3-7/8	7-5/8	1.25	0.25	0.25	0.625
D-232-78	E-232-78-60	B-232-78-70	WS-232-78	160	290	4-7/8	7-5/8	1.25	0.25	0.25	0.625
D-232-156	E-232-156-60	B-232-156-70	WS-232-78(X2)	160	290	9-3/4	7-5/8	1.25	0.25	0.25	0.625
D-234-86	E-234-86-60	B-234-86-70	WS-234-86	170	310	5-3/8	8-1/16	1.375	0.25	0.25	0.688
D-234-172	E-234-172-60	B-234-172-70	WS-234-86(X2)	170	310	10-3/4	8-1/16	1.375	0.25	0.25	0.688
D-236	E-236-60	B-236-70	WS-236	180	320	4-1/4	8-15/32	1.375	0.25	0.25	0.688
D-236-94	E-236-94-60	B-236-94-70	WS-236-94	180	320	5-7/8	8-15/32	1.375	0.25	0.25	0.688
SD-240	SE-240-60	SB-240-70	SWS-240	200	340	4-3/4	9-1/4	1.375	0.25	0.25	0.688
SD-240-110	SE-240-110-60	SB-240-110-70	SWS-240-110	200	340	6-7/8	9-1/4	1.375	0.25	0.25	0.688
SD-244-110	SE-244-110-60	SB-244-110-70	SWS-244-110	220	380	6-7/8	10-7/16	1.375	0.25	0.25	0.688



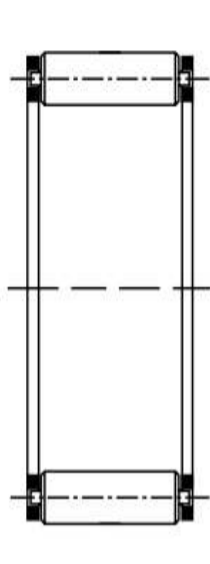
Conjunto
D-XXX



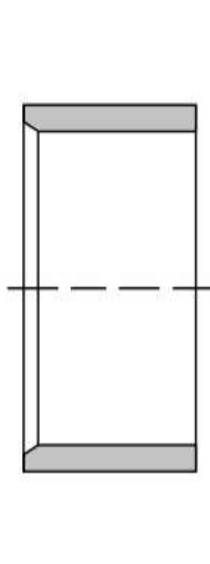
Anel Externo &
Corpo Rolante
B-XXX



Anel Externo
Parcialmente
B-XXX-70



Corpo Rolante
Parcialmente
WS-XXX



Anel Interno
Parcialmente
E-XXX-60

CÓDIGO SUPROL CONJUNTO	CÓDIGO SUPROL DOS COMPONENTES			B MM	D MM	W IN.	Dir. IN.	Rd. IN.	ri IN.	ro IN.	H IN.	H IN.
	ANEL INTERNO	ANEL EXTERNO	CORPO ROLANTE									
D-305-18	E-305-18-60	B-305-18-70	WS-305-18	25	62	1-1/8	1-1/4	0.4375	0.062	0.062	0.25	0.25
D-206-13	E-206-13-60	B-206-13-70	WS-206-13	30	62	13/16	1-1/2	0.3125	0.062	0.062	0.25	0.25
D-206-18	E-206-18-60	B-206-18-70	WS-206-18	30	62	1-1/8	1-1/2	0.3125	0.062	0.062	0.25	0.25
D-207-15	E-207-15-60	B-207-15-70	WS-207-15	35	72	15/16	1-3/4	0.375	0.062	0.062	0.25	0.25
D-207-19	E-207-19-60	B-207-19-70	WS-207-19	35	72	1-3/16	1-3/4	0.375	0.062	0.062	0.25	0.25
D-307	E-307-60	B-307-70	WS-307	35	80	1-3/8	1-3/4	0.5	0.062	0.062	0.25	0.25
D-208-16	E-208-16-60	B-208-16-70	WS-208-16	40	80	1	2	0.375	0.078	0.078	0.25	0.25
D-208-22	E-208-22-60	B-208-22-70	WS-208-22	40	80	1-3/8	2	0.375	0.078	0.078	0.25	0.25
D-209-18	E-209-18-60	B-209-18-70	WS-209-18	45	85	1-1/8	2-3/16	0.375	0.078	0.078	0.25	0.25
D-209-25	E-209-25-60	B-209-25-70	WS-209-25	45	85	1-9/16	2-3/16	0.375	0.078	0.078	0.25	0.25
D-309	E-309-60	B-309-70	WS-309	45	100	1-9/16	2-1/4	0.625	0.094	0.078	0.313	0.313
D-210-20	E-210-20-60	B-210-20-70	WS-210-20	50	90	1-1/4	2-3/8	0.375	0.078	0.078	0.313	0.313
D-210-28	E-210-28-60	B-210-28-70	WS-210-28	50	90	1-3/4	2-3/8	0.375	0.078	0.078	0.313	0.313
D-210-56	E-210-56-60	B-210-56-70	WS-210-28(X2)	50	90	3-1/2	2-3/8	0.375	0.078	0.078	0.313	0.313
D-211	E-211-60	B-211-70	WS-211	55	100	1-5/16	2-5/8	0.4375	0.094	0.078	0.313	0.313
D-211-29	E-211-29-60	B-211-29-70	WS-211-29	55	100	1-13/16	2-5/8	0.4375	0.094	0.078	0.313	0.313
D-211-58	E-211-58-60	B-211-58-70	WS-211-58	55	100	3-5/8	2-5/8	0.4375	0.094	0.078	0.313	0.313
D-311	E-311-60	B-311-70	WS-311	55	120	1-15/16	2-3/4	0.6875	0.109	0.109	0.375	0.375
D-212	E-212-60	B-212-70	WS-212	60	110	1-7/16	2-7/8	0.5	0.094	0.094	0.313	0.313
D-212-31	E-212-31-60	B-212-31-70	WS-212-31	60	110	1-15/16	2-7/8	0.5	0.094	0.094	0.313	0.313
D-212-62	E-212-62-60	B-212-62-70	WS-212-31(X2)	60	110	3-7/8	2-7/8	0.5	0.094	0.094	0.313	0.313
D-213	E-213-60	B-213-70	WS-213	65	120	1-1/2	3-1/8	0.5	0.109	0.109	0.375	0.375
D-213-33	E-213-33-60	B-213-33-70	WS-213-33	65	120	2-1/16	3-1/8	0.5	0.109	0.109	0.375	0.375
D-313-35	E-313-35-60	B-313-35-70	WS-313-35	65	140	2-3/16	3-1/4	0.8125	0.125	0.125	0.4375	0.4375
D-313	E-313-60	B-313-70	WS-313	65	140	2-5/16	3-1/4	0.8125	0.125	0.125	0.4375	0.4375
D-214-26	E-2314-26-60	B-214-26-70	WS-214-26	70	125	1-5/8	3-5/16	0.5	0.109	0.125	0.375	0.375
D-214-38	E-214-38-60	B-214-38-70	WS-214-38	70	125	2-3/8	3-5/16	0.5	0.109	0.125	0.375	0.375
D-214-76	E-214-76-60	B-214-76-70	WS-214-38(X2)	70	125	4-3/4	3-5/16	0.5	0.109	0.125	0.375	0.375
D-215	E-215-60	B-215-70	WS-215	75	130	1-5/8	3-1/2	0.5	0.109	0.125	0.375	0.375
D-215-28	E-215-28-60	B-215-28-70	WS-215-28	75	130	1-3/4	3-1/2	0.5	0.109	0.125	0.375	0.375
D-215-42	E-215-42-60	B-215-42-70	WS-215-42	75	130	2-5/8	3-1/2	0.5	0.109	0.125	0.375	0.375
D215-84	E-215-84-60	B-215-84-70	WS-215-42(X2)	75	130	5-1/4	3-1/2	0.5	0.109	0.109	0.375	0.375
D315-39	E-315-39-60	B-315-39-70	WS-315-39	75	160	2-7/16	3-3/4	0.9375	0.156	0.109	0.4375	0.4375
D-216	E-216-60	B-216-70	WS-216	80	140	1-3/4	3-3/4	0.5625	0.125	0.109	0.4375	0.4375
D-216-29	E-216-29-60	B-216-29-70	WS-216-29	80	140	1-13/16	3-3/4	0.5625	0.125	0.109	0.4375	0.4375
D-216-42	E-216-42-60	B-216-42-70	WS-216-42	80	140	2-5/8	3-3/4	0.5625	0.125	0.109	0.4375	0.4375
D-216-84	E-216-84-60	B-216-84-70	WS-216-42(X2)	80	140	5-1/4	3-3/4	0.5625	0.125	0.109	0.4375	0.4375
D-316	E-316-60	B-316-70	WS-316	80	170	2-11/16	4	1	0.156	0.109	0.4375	0.4375
D-217	E-217-60	B-217-70	WS-217	85	150	1-15/16	4	0.25	0.125	0.109	0.4375	0.4375
D-217-44	E-217-44-60	B-217-44-70	WS-217-44	85	150	2-3/4	4	0.625	0.125	0.125	0.4375	0.4375
D-317	E-317-60	B-317-70	WS-317	85	-	2-7/8	4-1/4	1	0.156	0.156	0.563	0.563