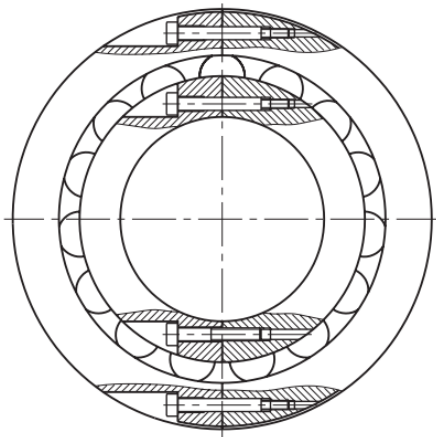
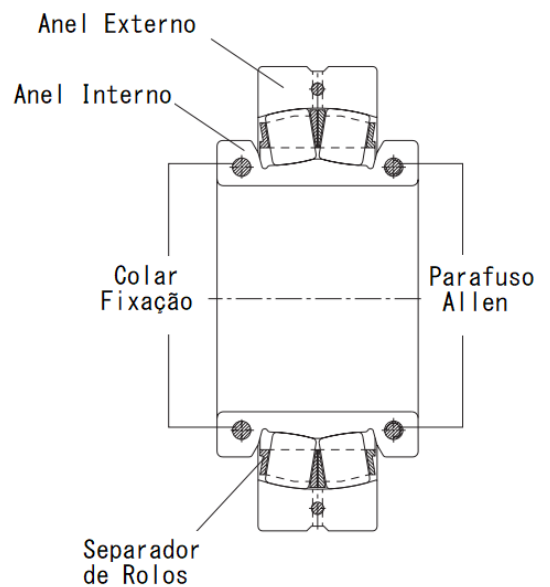
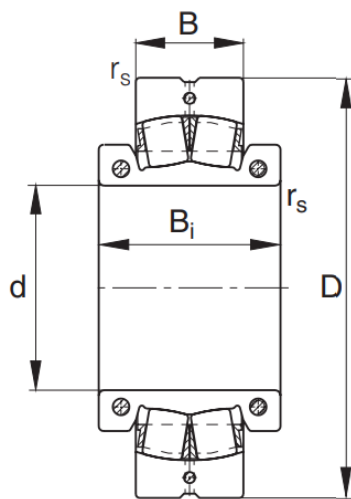


SUPROL SUP

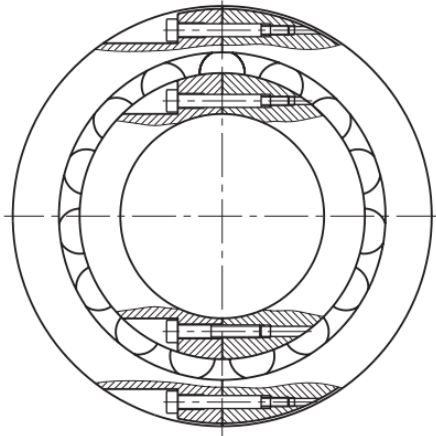
Ilustração



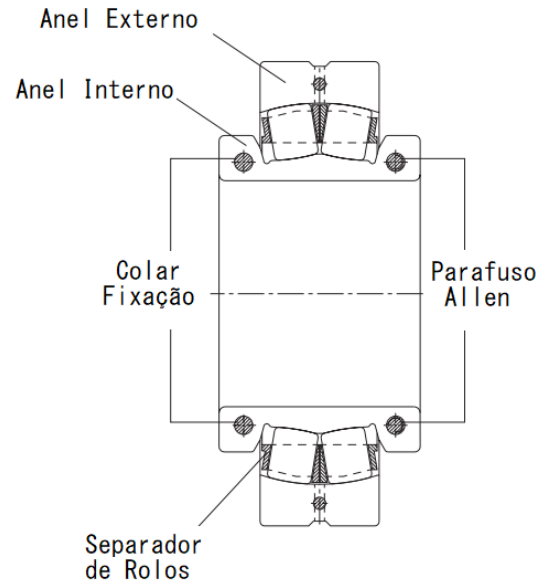
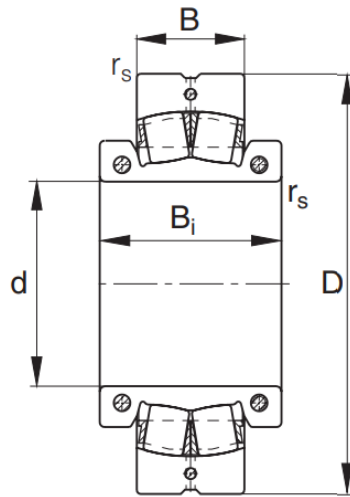
MA = Separador em Bronze/Latão

Eixo	Dimensões					Capacidade de Carga - Fator Din.					estat.	Peso	Carga Axial Permissível	Limite Velocidade	Código	
	d	D	B	B _i	r _s	C	e	Y	Y	C ₀						Y ₀
	mm					kN		F _a /F _r ≤ e	F _a /F _r > e	kN						
55	55	110	28	52	1.5	120	0.23	2.9	4.4	146	2.9	1.7	5.4	3000		
60	60	120	31	55	1.5	143	0.24	2.8	4.2	166	2.8	2.7	5.4	2800		
65	65	130	31	60	1.5	173	0.24	2.8	4.2	208	2.8	2.8	5.4	2400		
70	70	140	33	62	2	180	0.23	3	4.4	228	2.9	3	5.4	2400		
75	75	150	36	68	2	183	0.22	3.1	4.6	236	3	4	7.6	2200		
80	80	160	40	70	2	212	0.22	3.1	4.7	270	3.1	4.9	7.6	2000		
85	85	170	43	74	2	260	0.22	3	4.5	325	3	5.7	7.6	1900		
90	90	180	46	76	2.1	285	0.23	2.9	4.3	360	2.8	6.1	7.6	1700		
100	100	180	56	90	2	310	0.28	2.4	3.5	430	2.3	8	7.6	1100	231SM100MA	
	100	200	53	92	2.1	360	0.24	2.8	4.2	465	2.8	9.8	13.8	1500		
110	110	180	46	86	2	270	0.23	2.9	4.3	390	2.8	7	7.6	1100	230SM110MA	
	110	200	62	102	2	390	0.28	2.4	3.6	570	2.3	9.55	14	1000	231SM110MA	
	110	215	58	98	2.1	455	0.25	2.7	4	585	2.7	10.7	13.8	1300		
115	115	200	52	90	2	305	0.22	3	4.5	455	3	9.5	7.6	1100	230SM115MA	
	115	210	64	104	2	490	0.28	2.4	3.6	710	2.3	11.2	7.6	900	231SM115MA	
	115	230	64	104	3	540	0.25	2.7	4	720	2.7	14.2	13.8	1200		
125	125	210	53	94	2	390	0.23	3	4.4	600	2.9	10	7.6	950	230SM125MA	
	125	225	68	110	2.1	510	0.28	2.5	3.6	750	2.4	13.5	13.8	850	231SM125MA	
	125	250	68	110	3	630	0.26	2.6	3.9	880	2.6	18.8	13.8	1100		

SUPROL SUP

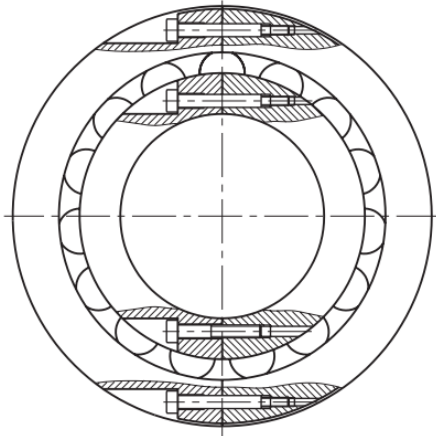
Ilustração



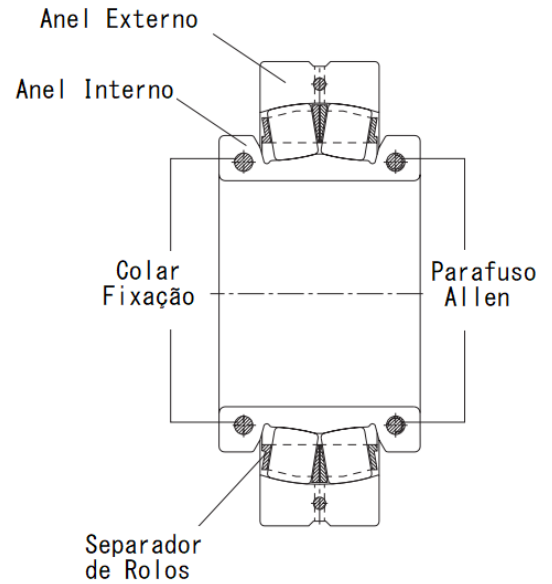
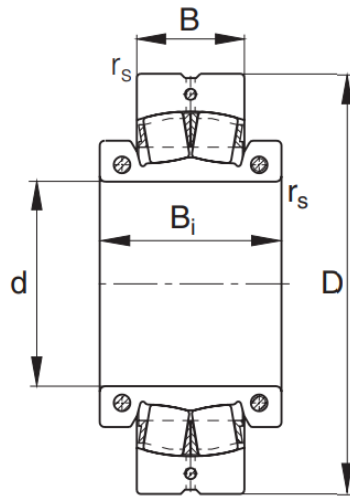
MA = Separador em Bronze/Latão

Eixo	Dimensões					Capacidade de Carga - Fator Din.					estat.	Peso	Carga Axial Permissível	Limite Velocidade	Código	
	d	D	B	B _i	r _s min	C	e	Y	Y	C ₀						Y ₀
	mm	mm	mm	mm	mm	kN		F _r /F _r ≤ e	F _r /F _r > e	kN						
135	135	225	56	100	2.1	405	0.22	3.1	4.6	620	3	13	13.8	950	230SM135MA	
	135	250	80	123	2.1	570	0.27	2.5	3.7	850	2.4	19.5	22.2	800	231SM135MA	
	135	270	73	122	3	735	0.25	2.7	4	1020	2.6	22.3	22.2	1000		
140	140	240	60	106	2.1	450	0.22	3.1	4.6	680	3	15.5	13.8	900	230SM140MA	
	140	270	86	135	2.1	710	0.29	2.3	3.5	1040	2.3	25.8	22	700	231SM140MA	
	140	290	80	124	3	850	0.25	2.7	4	1200	2.6	28.5	22.2	950		
150	150	260	67	112	2.1	510	0.22	3.1	4.6	800	3	20.5	13.8	800	230SM150MA	
	150	280	88	133	2.1	710	0.29	2.3	3.5	1040	2.3	26.4	22	700	231SM150MA	
	150	310	86	128	4	965	0.26	2.6	3.9	1370	2.6	36.5	22.2	900		
160	160	280	74	123	2.1	640	0.23	3	4.4	1000	2.9	25.5	22.2	750	230SM160MA	
	160	300	96	140	2.1	830	0.29	2.3	3.5	1220	2.3	32.7	22	670	231SM160MA	
	160	320	86	131	4	965	0.26	2.6	3.9	1370	2.6	35.7	22.2	900		
170	170	290	75	120	2.1	780	0.23	2.9	4.3	1250	2.8	23.6	22.2	700	230SM170MA	
	170	320	104	142	2.1	915	0.28	2.4	3.5	1430	2.3	40.6	22	630	231SM170MA	
	170	340	92	142	4	1140	0.25	2.7	4	1630	2.7	43.6	22.2	800		
180	180	310	82	134	2.1	800	0.23	3	4.4	1270	2.9	35	22	670	230SM180MA	
	180	340	112	160	3	1020	0.29	2.3	3.5	1530	2.3	48.4	22	600	231SM180MA	
	180	360	98	154	4	1140	0.25	2.7	4	1630	2.7	52.8	22.2	600	222SM180MA	
200	200	340	90	136	3	965	0.23	2.9	4.3	1530	2.8	37.2	22	630	230SM200MA	
	200	370	120	175	4	1320	0.31	2.2	3.3	2040	2.2	61.8	32	530	231SM200MA	
	200	400	108	162	4	1340	0.25	2.7	4	1900	2.6	77.5	32	560	222SM200MA	
220	220	360	92	156	3	1100	0.23	2.9	4.3	1830	2.8	53	32	560	230SM220MA	
	220	400	128	190	4	1630	0.3	2.3	3.3	2600	2.2	86	32	480	231SM220MA	
	220	440	120	170	4	1460	0.25	2.7	4	2080	2.7	89.3	32	500	222SM220MA	

SUPROL SUP

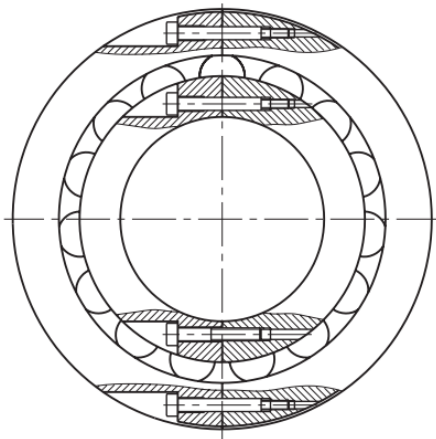
Ilustração



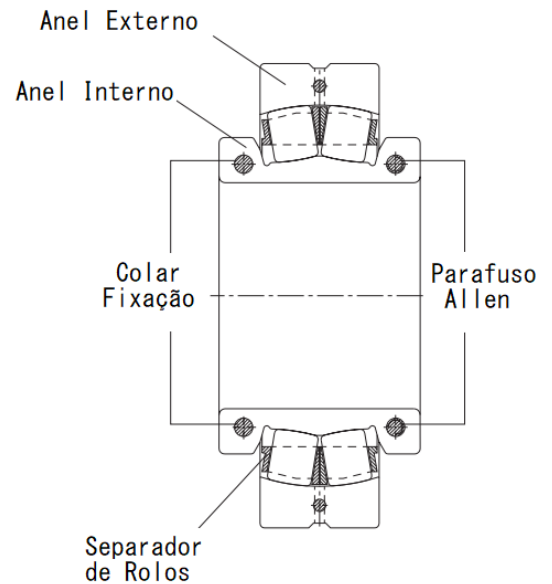
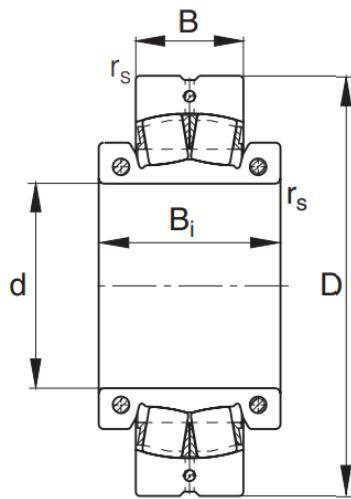
MA = Separador em Bronze/Latão

Eixo	Dimensões					Capacidade de Carga - Fator Din.						Peso	Carga Axial Permissível	Limite Velocidade	Código
	d	D	B	B _i	r _s min	C	e	Y	Y	estat.	Y ₀				
	mm	mm	mm	mm	mm	kN		F _a /F _r ≤ e	F _a /F _r > e	kN					
240	240	400	104	160	4	1220	0.22	3	4.5	2120	3	57.4	32	560	230SM240MA
	240	440	144	210	4	1860	0.3	2.3	3.4	3050	2.2	114	32	450	231SM240MA
	240	480	130	200	5	1860	0.26	2.6	3.9	2600	2.6	136	60	450	222SM240MA
260	260	420	106	170	4	1460	0.23	2.9	4.4	2450	2.9	72	32	500	230SM260MA
	260	460	146	190	5	2280	0.3	2.2	3.3	3800	2.2	110	32	400	231SM260MA
	260	500	130	200	5	2200	0.25	2.7	4	3100	2.6	143	60	430	222SM260MA
280	280	460	118	175	4	1600	0.22	3	4.5	2800	3	96	32	480	230SM280MA
	280	500	160	218	5	2320	0.29	2.3	3.5	3900	2.3	160	44	400	231SM280MA
	280	540	140	200	5	2400	0.24	2.8	4.2	3550	2.7	175	60	430	222SM280MA
300	300	480	121	186	4	1860	0.23	2.9	4.3	3200	2.8	106	32	430	230SM300MA
	300	540	176	225	5	2750	0.29	2.3	3.4	4750	2.3	184	60	360	231SM300MA
	300	580	150	212	5	2650	0.24	2.8	4.2	4050	2.8	214	60	380	222SM300MA
320	320	520	133	200	5	2040	0.22	3	4.5	3650	3	120	32	430	230SM320MA
	320	580	190	235	5	3100	0.3	2.3	3.4	5200	2.2	226	60	340	231SM320MA
	320	620	165	230	6	3100	0.24	2.8	4.1	4750	2.7	244	60	360	222SM320MA
340	340	540	134	205	5	2360	0.22	3	4.5	4150	2.9	150	60	380	230SM340MA
	340	600	192	270	5	3900	0.3	2.3	3.3	6800	2.2	285	60	300	231SM340MA
	340	650	170	240	6	3450	0.25	2.7	4	5100	2.6	267	60	340	222SM340MA
360	360	560	135	218	5	2550	0.22	3.1	4.6	4650	3	137	60	380	230SM360MA
	360	620	194	270	5	3900	0.3	2.3	3.4	6950	2.2	292	60	300	231SM360MA
380	380	600	148	225	5	2700	0.21	3.2	4.8	5100	3.1	169	60	380	230SM380MA
	380	650	200	270	6	4050	0.28	2.4	3.6	7200	2.3	365	60	300	231SM380MA

SUPROL SUP

Ilustração



MA = Separador em Bronze/Latão

Eixo	Dimensões					Capacidade de Carga - Fator Din.					estat.	Peso	Carga Axial Permissível	Limite Velocidade	Código	
	d	D	B	B _i	r _s	C	e	Y	Y	C ₀						Y ₀
	mm					kN		F _r /F _r ≤ e	F _r /F _r > e	kN						kg
400	400	620	150	225	5	3100	0.22	3.1	4.6	5700	3	210	60	340	230SM400MA	
	400	700	224	285	6	4400	0.28	2.4	3.6	7650	2.3	415	60	280	231SM400MA	
410	410	650	157	225	5	3100	0.21	3.2	4.8	5850	3.1	250	60	340	230SM410MA	
	410	720	224	315	6	5400	0.29	2.3	3.4	9650	2.3	475	94	260	231SM410MA	
420	420	650	157	235	5	3100	0.21	3.2	4.8	5850	3.1	246	60.5	340	230SM420MA	