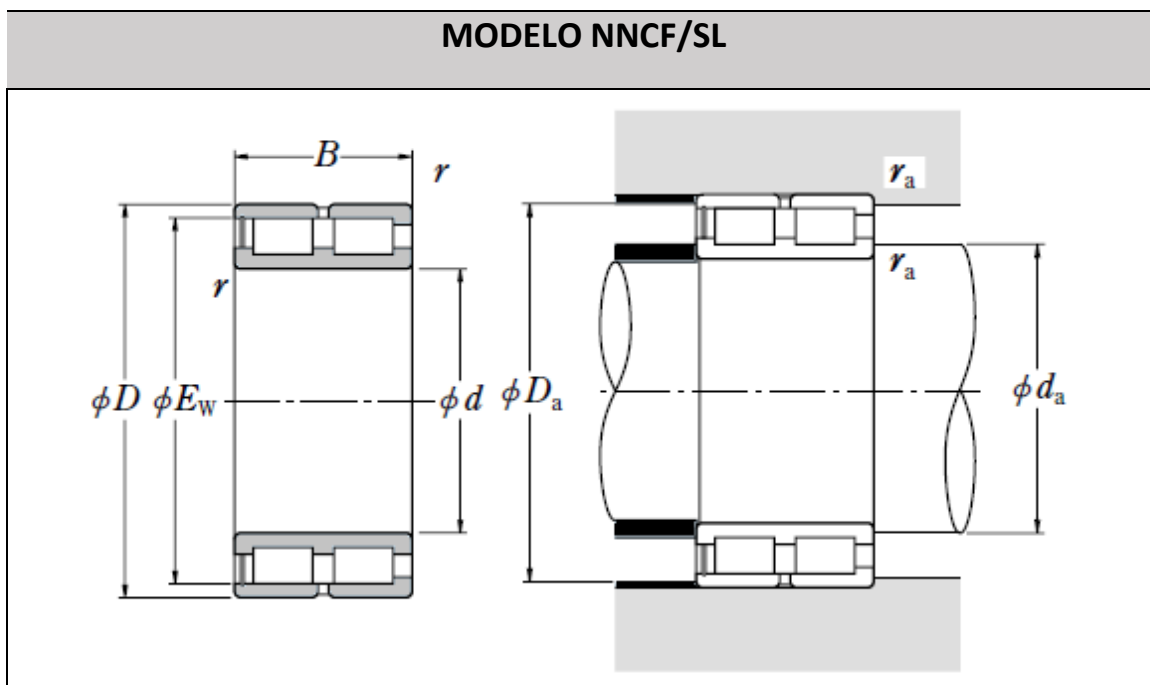
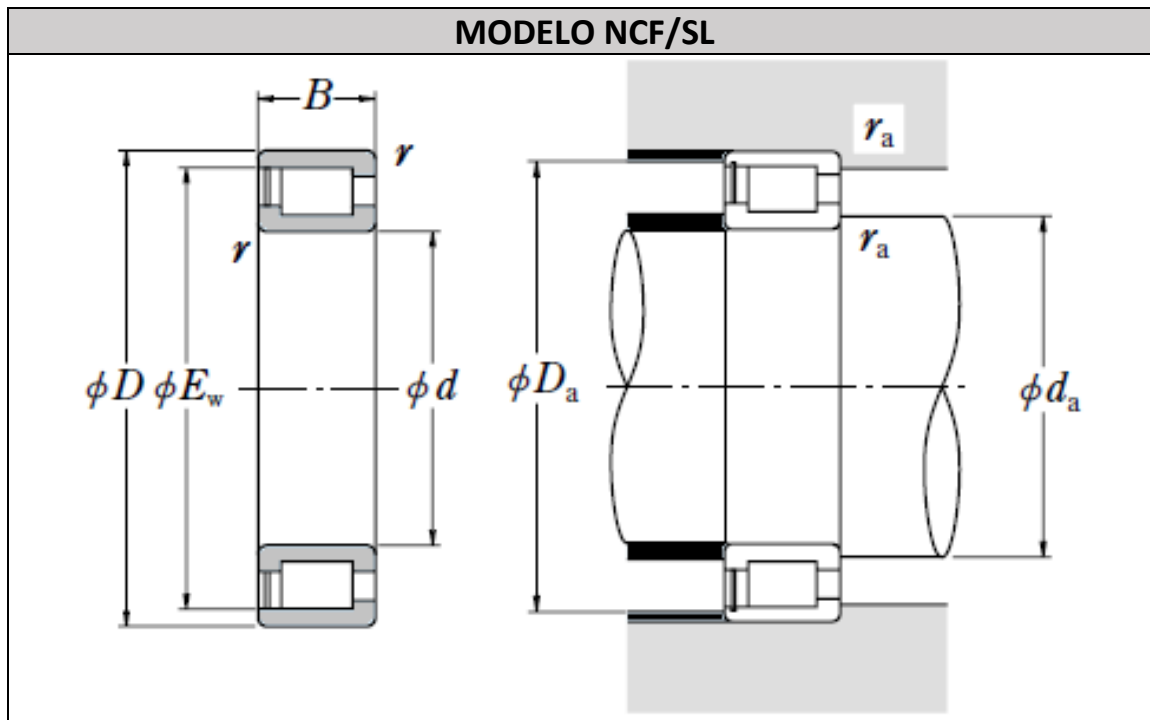
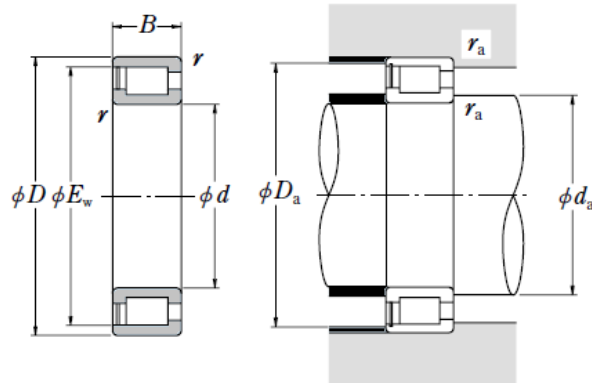


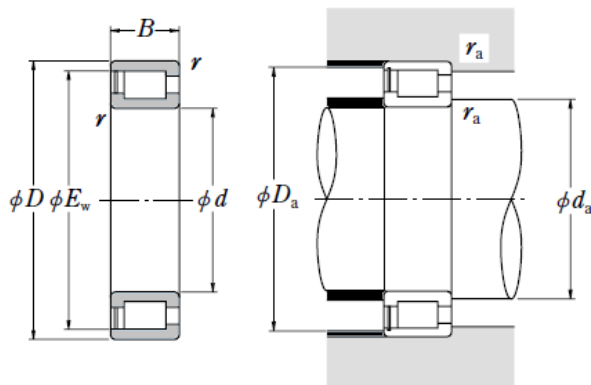
ROLAMENTO DE ROLO CILÍNDRICO SEM SEPARADOR, UMA OU MAIS CARREIRAS



ROLAMENTO DE ROLO CILÍNDRICO, 1 CARREIRA, SEM SEPARADOR.

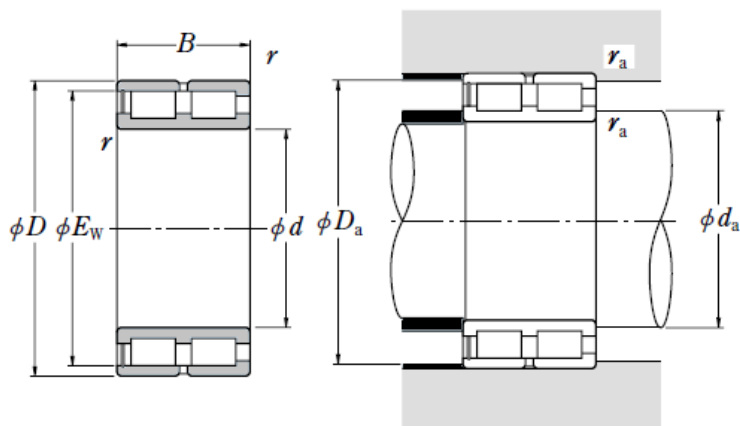


Dimensional Nominal (mm)					Capacidade de Carga		Código Rolamento	Dados p/ Encosto (mm)			Peso (Kg)
d	D	B	r	E _w	C _r (KN)	C _{or} (KN)		d _a	D _a	r _a	
100	140	24	1.1	130.5	132	209	NCF2920V	109	131	1	1.0
	150	37	1.5	139.7	209	310	NCF3020V	111	140	1.5	2.1
110	150	24	1.1	141	138	229	NCF2922V	119	142	1	1.1
	170	45	2	156.3	278	405	NCF3022V	122	157	2	3.3
120	165	27	1.1	154	177	305	NCF2924V	130	155	1	1.7
	180	46	2	167.58	293	440	NCF3024V	132	168	2	3.6
130	180	30	1.5	166.5	210	370	NCF2926V	141	168	1.5	2.2
	200	52	2	183.81	415	615	NCF3026V	142	187	2	5.6
140	190	30	1.5	179.4	227	395	NCF2928V	151	180	1.5	2.3
	210	53	2	197.82	435	680	NCF3028V	152	198	2	5.9
150	210	36	2	195	289	505	NCF2930V	163	196	2	3.7
	225	56	2.1	206.82	460	710	NCF3030V	165	209	2	7.1
160	220	36	2	207	310	535	NCF2932V	173	208	2	3.8
	240	60	2.1	224.8	520	810	NCF3032V	175	225	2	8.6
170	215	22	1.5	203.5	149	272	NCF1834V	182	204	1.5	1.8
	230	36	2	218	320	570	NCF2934V	183	219	2	4.1
180	225	22	1.5	215	154	290	NCF1836V	192	216	1.5	1.8
	250	42	2	231.5	390	695	NCF2936V	193	236	2	6.0
	280	74	2.1	260.3	785	1.260	NCF3036V	195	263	2	15.8
190	240	24	1.5	228.7	178	335	NCF1838V	202	229	1.5	2.4
	260	42	2	243.6	435	785	NCF2938V	203	245	2	6.5
	290	75	2.1	269.9	805	1.320	NCF3038V	206	273	2	16.7
200	250	24	1.5	237	182	350	NCF1840V	213	238	1.5	2.5
	280	48	2.1	261	530	955	NCF2940V	216	263	2	8.9
	310	82	2.1	287.8	910	1.510	NCF3040V	216	293	2	21.4
220	270	24	2	257.7	191	385	NCF1844V	234	258	2	2.7
	300	48	2.1	282	555	1.050	NCF2944V	236	283	2	9.6
	340	90	3	312.3	1.100	1.820	NCF3044V	238	320	2.5	28.2
240	300	28	2	283	236	470	NCF1848V	254	285	2	4.2
	320	48	2.1	303	580	1.140	NCF2948V	257	304	2	10.4
	360	92	3	335.25	1.160	1.990	NCF3048V	259	340	2.5	31.2
260	320	28	2	307	247	510	NCF1852V	275	308	2	4.5
	360	60	2.1	333.2	750	1.460	NCF2952V	277	342	2	18.1
	400	104	4	376.1	1.570	2.600	NCF3052V	282	377	3	45.3
300	380	38	2.5	359	445	870	NCF1860V	319	360	2	9.7
	420	72	3	389.6	1.120	2.200	NCF2960V	320	398	2.5	30.7
	460	118	4	431.7	1.980	3.500	NCF3060V	323	435	3	67.6
320	400	38	2.1	380	460	925	NCF1864V	338	381	2	10.3
	440	72	3	410	1.150	2.340	NCF2964V	340	418	2.5	33
	480	121	4	449.6	2.170	3.900	NCF3064V	343	454	3	73
340	420	38	2.1	401	475	985	NCF1868V	359	402	2	10.7
	460	72	3	430.3	1.190	2.470	NCF2968V	361	438	2.5	34.1
	520	133	5	485.8	2.480	4.350	NCF3068V	368	490	4	97
360	440	38	2.5	422	490	1.040	NCF1872V	380	423	2	11.5
	480	72	3	450.7	1.220	2.610	NCF2972V	381	457	2.5	36
	540	134	5	403.6	2.550	4.600	NCF3072V	388	509	4	102

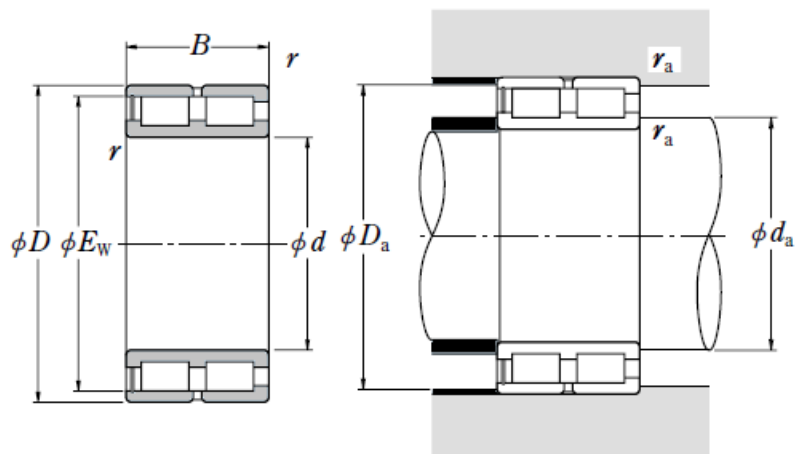


Dimensional Nominal (mm)					Capacidade de Carga		Código Rolamento	Dados p/ Encosto (mm)			Peso (Kg)
d	D	B	r	E _w	C _r (KN)	C _{or} (KN)		d _a	D _a	r _a	
380	480	46	2.5	452.8	575	1.230	NCF1876V	400	458	2	18.6
	520	82	4	486.7	1.600	3.350	NCF2976V	404	493	3	52
	560	135	5	521.4	2.610	4.800	NCF3076V	408	529	4	108
400	500	46	2.5	475.7	590	1.300	NCF1880V	421	478	2	19.5
	540	82	4	511	1.650	3.550	NCF2980V	425	513	3	53.4
	600	148	5	558.7	3.050	5.750	NCF3080AV	429	568	4	139
420	520	46	2.1	491	600	1.340	NCF1884V	440	498	2	20.5
	560	82	4	523.2	1.680	3.650	NCF2984V	445	533	3	55.7
	620	150	5	577.7	3.000	5.650	NCF3084V	449	588	4	147
440	540	46	2.1	514	615	1.410	NCF1888V	461	518	2	21.3
	600	95	4	562	2.070	4.300	NCF2988V	466	572	3	78.2
460	580	56	3	552.7	920	1.950	NCF1892V	483	555	2.5	32.5
	620	95	4	576.5	2.100	4.450	NCF2992V	486	591	3	81.2
480	600	56	3	573	940	2.040	NCF1896V	503	575	2.5	33.8
	650	100	5	615	2.380	5.100	NCF2996V	510	617	4	95.1
500	620	56	3	593.5	960	2.120	NCF18/500V	524	594	2.5	35
	670	100	5	630.2	2.420	5.250	NCF29/500V	531	637	4	98.4
530	650	56	3	624	990	2.240	NCF18/530V	554	625	2.5	36.9
560	680	56	3	654.7	1.020	2.360	NCF18/560V	585	655	2.5	39.3
	820	195	6	770	5.600	11.300	NCF30.560V	598	778	5	332.5
600	730	60	3	695.5	1.140	2.680	NCF18/600V	626	702	2.5	48.9
	800	118	5	752	3.050	7.300	NCF29/600V	633	764	4	164.9
630	780	69	4	742	1.470	3.400	NCF18/630V	659	748	3	68.8
670	820	69	4	780	1.520	3.550	NCF18/670V	700	787	3	72.7
710	870	74	4	832.5	1.650	3.900	NCF18/710V	741	836	3	87.6
750	920	78	5	882.3	1.930	4.600	NCF18/750V	786	883	4	103.3
800	980	82	5	936	2.110	5.100	NCF18/800V	832	950	4	123.1

ROLAMENTO DE ROLO CILÍNDRICO, 2 CARREIRAS, SEM SEPARADOR.



Dimensional Nominal (mm)					Capacidade de Carga		Código Rolamento	Dados p/ Encosto (mm)			Peso (Kg)
d	D	B	r	E _w	C _r (KN)	C _{or} (KN)		d _a	D _a	r _a	
100	140	40	1.1	129.8	194	400	NNCF4920V	109	130	1	2.0
	150	67	1.5	139.7	360	615	NNCF5020V	111	140	1.5	3.8
110	150	40	1.1	138.4	202	430	NNCF4922V	119	140	1	2.1
	170	80	2	156.3	490	840	NNCF5022V	122	157	2	6.1
120	165	45	1.1	153.8	226	480	NNCF4924V	130	155	1	2.9
	180	80	2	167.58	500	885	NNCF5024V	132	168	2	6.5
130	180	50	1.5	165.7	262	555	NNCF4926V	141	168	1.5	3.9
	200	95	2	183.81	710	1.230	NNCF5026V	142	187	2	10.3
140	190	50	1.5	176.2	272	595	NNCF4928V	151	178	1.5	4.2
	210	95	2	197.82	750	1.360	NNCF5028V	152	198	2	10.8
150	210	60	2	191.6	390	865	NNCF4930V	163	196	2	6.6
	225	100	2.1	206.82	785	1.420	NNCF5030V	165	209	2	13
160	220	60	2	204.1	410	930	NNCF4932V	173	206	2	7.0
	240	109	2.1	224.8	895	1.620	NNCF5032V	175	225	2	15.8
170	230	60	2	212.4	415	975	NNCF4934V	183	216	2	7.3
	260	122	2.1	242.87	1.160	2.140	NNCF5034V	185	244	2	22.1
180	250	69	2	230.5	550	1.230	NNCF4936V	193	236	2	10.7
	280	136	2.1	260.3	1.340	2.510	NNCF5036V	195	263	2	29.4
190	260	69	2	240.7	565	1.290	NNCF4938V	203	245	2	11.1
	290	136	2.1	269.9	1.380	2.630	NNCF5038V	206	273	2	30.8
200	250	50	1.5	235.9	320	825	NNCF4840V	213	237	1.5	5.9
	280	80	2.1	259.5	665	1.500	NNCF4940V	216	263	2	15.7
	310	150	2.1	287.75	1.560	3.000	NNCF5040V	216	293	2	39.7
220	270	50	1.5	256.9	340	905	NNCF4844V	233	257	1.5	6.4
	300	80	2.1	277	695	1.620	NNCF4944V	236	283	2	17
	340	160	3	312.3	1.890	3.650	NNCF5044V	238	320	2.5	50.7
240	300	60	2	282.6	495	1.340	NNCF4848V	254	285	2	10.3
	320	80	2.1	300	725	1.770	NNCF4948V	257	302	2	18.4
	360	160	3	335.25	1.990	4.000	NNCF5048V	259	340	2.5	54.3
260	320	60	2	303.6	515	1.450	NNCF4842V	275	304	2	11
	360	100	2.1	331.5	1.050	2.530	NNCF4952V	277	342	2	32
	400	190	4	376.1	2.690	5.200	NNCF5052V	282	377	3	82.7
280	350	69	2	332.5	685	1.860	NNCF4856V	295	334	2	16
	380	100	2.1	352.5	1.090	2.720	NNCF4956V	297	361	2	34
	420	190	4	390.5	2.770	5.450	NNCF5056V	302	395	3	87.7
300	380	80	2.1	357.2	805	2.160	NNCF4860V	318	361	2	23
	420	118	3	386.5	1.580	3.800	NNCF4960V	320	398	2.5	52
	460	218	4	431.7	3.400	7.000	NNCF5060V	323	435	3	125
320	400	80	2.1	380.2	835	2.310	NNCF4864V	338	381	2	24.3
	440	118	3	404.5	1.620	4.000	NNCF4964V	340	418	2.5	55
	480	218	4	446.9	3.500	7.350	NNCF5064V	343	454	3	131
340	420	80	2.1	397.4	855	2.430	NNCF4868V	359	400	2	25.6
	460	118	3	431	1.690	4.300	NNCF4968V	361	438	2.5	58
	520	243	5	485.8	4.250	8.750	NNCF5068V	368	490	4	177



Dimensional Nominal (mm)					Capacidade de Carga		Código Rolamento	Dados p/ Encosto (mm)			Peso (Kg)
d	D	B	r	E_w	C_r (KN)	C_{or} (KN)		d_a	D_a	r_a	
360	440	80	2.1	420.4	885	2.580	NNCF4872V	379	421	2	27
	480	118	3	449	1.730	4.500	NNCF4972V	381	457	2.5	61
	540	243	5	503.6	4.350	9.150	NNCF5072V	388	509	4	186
380	480	100	2.1	450.6	1.260	3.600	NNCF4876V	399	459	2	45.5
	520	140	4	482.5	2.180	5.650	NNCF4976V	404	493	3	90.5
	560	243	5	521.4	4.500	9.600	NNCF5076V	408	529	4	194
400	500	100	2.1	471.7	1.290	3.750	NNCF4880V	420	479	2	47.5
	540	140	4	503	2.240	5.900	NNCF4980V	425	513	3	94.5
	600	272	5	558.7	5.050	10.900	NNCF5080V	429	568	4	256
420	520	100	2.1	492	1.320	3.950	NNCF4884V	440	498	2	49.5
	560	140	4	523	2.290	6.200	NNCF4984V	445	533	3	98.5
	620	272	5	577.7	5.150	11.300	NNCF5084V	449	588	4	267
440	540	100	2.1	513	1.350	4.150	NNCF4888V	461	518	2	51.5
	600	160	4	560.5	3.000	3.000	NNCF4988V	466	572	3	136
	660	310	5	617.7	6.350	12.700	NNCF5088V	470	627	4	311
460	580	118	3	549.2	1.730	5.150	NNCF4892V	483	555	2.5	77.5
	620	160	4	573	3.050	8.050	NNCF4992V	486	591	3	142
480	600	118	3	565.8	1.760	5.300	NNCF4896V	503	575	2.5	80.5
	650	170	5	603	3.350	8.900	NNCF4996V	510	617	4	167
500	620	118	3	590.7	1.810	5.600	NNCF48/500V	524	594	2.5	83.5
	670	170	5	629	3.400	9.350	NNCF49/500V	531	637	4	173